

Hunter 1x8 HDMI Splitter

9106-Hunter HTE-108E-1x8

USER MANUAL

www.hunterbharat.com



Product Introduction

Hunter 1x8 HDMI Splitter is a device that allows you to split one HDMI input into eight HDMI outputs. It supports 3D, Ultra HD 4k2K@60hz with 12-bit YCBCR 4:2:0 color format, HDCP1.4, and 10.2 Gbps bandwidth. 1x8 HDMI Splitter supports PCM 7.1 CH (channel), Dolby True HD, and DTS-HD Master Audio. It also supports EDID (Extended Display Identification Data) which allows the connected devices to communicate their video capabilities to the splitter, ensuring the best possible video quality.

Features

- Supports EDID control Compliant with HDCP1.4
- Support 3D frame sequential video format up to Ultra HD 4k2K@30hz
- Data transmission speed: 10.2 Gbps
- Supports LPCM 7.1CH, Dolby True HD, and DTS-HD Master Audio
- Support video format up to 4k2k@30Hz with 12bit RGB/YCBCR 4:2:0

www.hunterbharat.com

Specifacition



• Product Name	Hunter 1x8 HDMI Splitter-9106
• Input Port	1 × HDMI (Female type)
• Output Port	8 × HDMI (Female type)
• Video Resolution	Up to 4KX2K/60HZ and Up to 1080P/60HZ
• Bandwidth Support	Up to 10.2 Gbps
• Power Supply	5V/1A DC (US/EU standards, CE/FCC/UL certified)
• Material	Aluminum
• Operating Temperature	0 °C~40 °C/ 32 °F~104 °F
• Storage Temperature	-20 °C ~ 60 °C/-4 °F ~140 °F
• Relative Humidity	20~90 % RH (non-condensing)
• Power Consumption (Max)	5W
• ESD Protection	Human Body Model: ±8kv(air -gap discharge) ±4kv (contact charge)
• Dimensions	250mmx100mmx20mm

Operation Controls & Functions



Front Panel

ON/OFF button:

When the button is pressed, the device will be turned on/off

POWER LED:

This LED illuminate when the device is connected with power supply

1~8 LED:

This LED illuminate when the OUT1~OUT8 connected to the device

www.hunterpharad.com



Rear Panel

DC/5V:

Plug the 5V DC power supply into the unit and connected the adaptor to an AC outlet.

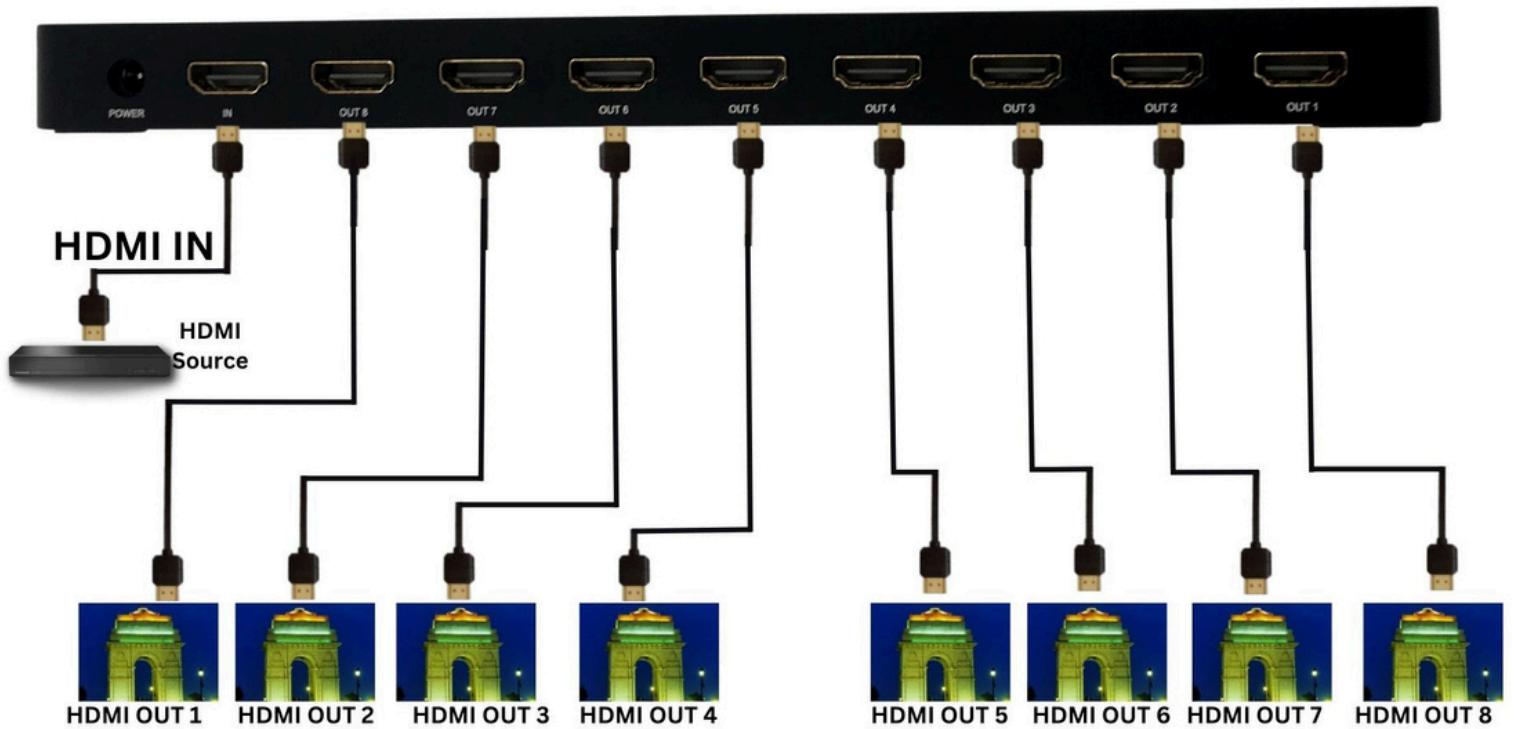
HDMI IN:

Connect the input port to the HDMI output of your source device such as a DVD player or set-top box with an HDMI cable

HDMI OUT 1~8:

Connect HDMI output 1~8 to an HDMI display for simultaneous HDMI distribution

Connection Diagram



Packing Content

Hunter 1x8 HDMI Splitter



5V1A DC Power adapter

